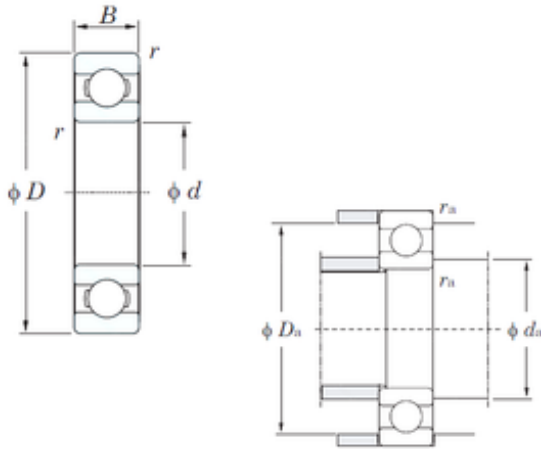




Precision Machinery Parts Co., Ltd.



6200 Bearing 2D drawings and 3D CAD models

NSK SKF Timken Koyo NTN Deep Groove
Ball Bearing 6200 6201 6202 6203 6204 6205 6206
6207 6208 6209 6210 6211 6212 6213 6214 6215
2rscm/2RS/Zz/Zzcm/DDU/Dducum/C3

Bearing No. 6200

| | |
|-------------------------------|--------------------------|
| Size | 10x30x9 mm |
| Bore Diameter | 10 mm |
| Outer Diameter | 30 mm |
| Width | 9 mm |
| d | 10 mm |
| D | 30 mm |
| B | 9 mm |
| C | 9 mm |
| r min. | 0,6 mm |
| da min. | 14 mm |
| Da max. | 26 mm |
| ra max. | 0,6 mm |
| Weight | 0,032 Kg |
| Basic dynamic load rating (C) | 5,1 kN |
| Basic static load rating (C0) | 2,4 kN |
| (Grease) Lubrication Speed | 24000 r/min |
| (Oil) Lubrication Speed | 29000 r/min |
| Category | Single Row Ball Bearings |
| Inventory | 0.0 |
| Manufacturer Name | KOYO |
| Minimum Buy Quantity | N/A |
| Weight / Kilogram | 0.035 |
| Product Group | B00308 |



Precision Machinery Parts Co., Ltd.

| | |
|---------------------------------|-------------------------------------------------------------------------------------------------------------------------------------------------------------|
| Enclosure | Open |
| Precision Class | ABEC 1 ISO P0 |
| Maximum Capacity / Filling Slot | No |
| Rolling Element | Ball Bearing |
| Snap Ring | No |
| Internal Special Features | No |
| Cage Material | Steel |
| Internal Clearance | C0-Medium |
| Inch - Metric | Metric |
| Long Description | 10MM Bore; 30MM Outside Diameter; 9MM Outer Race Diameter; Open; Ball Bearing; ABEC 1 ISO P0; No Filling Slot; No Snap Ring; No Internal Special Features |
| Category | Single Row Ball Bearing |
| UNSPSC | 31171504 |
| Harmonized Tariff Code | 8482.10.50.68 |
| Noun | Bearing |
| Keyword String | Ball |
| Manufacturer URL | http://www.koyousa.com |
| Manufacturer Item Number | 6200 |
| Weight / LBS | 0.076 |
| Outer Race Width | 0.354 Inch 9 Millimeter |
| Bore | 0.394 Inch 10 Millimeter |
| Outside Diameter | 1.181 Inch 30 Millimeter |
| Bearing No. | 6200 |
| r(min) | 0.6 |
| Cr | 6.40 |
| C0r | 2.40 |
| Cu | 0.120 |
| f0 | 13.2 |
| | |



Precision Machinery Parts Co., Ltd.

| | |
|------------------|-------|
| Grease lub. | 24000 |
| Oil lub. | 29000 |
| da(min) | 14 |
| Da(max) | 26 |
| ra(max) | 0.6 |
| (Refer.)Mass(kg) | 0.032 |